

SEPA ENVIRONMENTAL CHECKLIST

for the proposed

East Campus Dock Improvements



UNIVERSITY *of* WASHINGTON

September 2023

A. Background [Find help answering background questions](#)

1. Name of proposed project, if applicable:

University of Washington East Campus Dock Improvements

2. Name of applicant:

Julie Blakeslee
University Environmental & Land Use Planner

3. Address and phone number of applicant and contact person:

Julie Blakeslee
jblakesl@uw.edu

University of Washington
PO Box 352205
Seattle, WA 98195

4. Date checklist prepared:

8/30/2023

5. Agency requesting checklist:

University of Washington

6. Proposed timing or schedule (including phasing, if applicable):

The Project is anticipated to be constructed in 2025. The project may be split into phases of construction depending on available funding considerations. For the Waterfront Activities Center (WAC), extensions to the outer dock, canoe launching beach, and landing float are anticipated to be all part of the initial construction. Replacement of the Montlake Dock, the Horseshoe Dock and Docks C & D replacement may be completed as separate phases.

The Conibear boat ramp and float may also be completed as a separate phase from the WAC construction.

7. Do you have any plans for future additions, expansion, or further activity related to or connected with this proposal? If yes, explain.

No.

8. List any environmental information you know about that has been prepared, or will be prepared, directly related to this proposal.

Confluence (Confluence Environmental Company). 2023a. University of Washington dock renovations habitat survey. Prepared for Reid Middleton, Everett, Washington, and University of Washington, Seattle, by Confluence, Seattle, Washington.

Confluence. 2023b. University of Washington East Campus dock improvements biological assessment. Prepared for Reid Middleton, Everett, Washington, and University of Washington, Seattle, by Confluence, Seattle, Washington.

Aspect Consulting. 2023. University of Washington Waterfront Activities Center dock facility renovation project. Prepared for Reid Middleton, Everett, Washington, by Aspect Consulting, Seattle, Washington.

AKS Engineering. 2023. Bathymetric & topographic survey. Prepared for Reid Middleton, Everett, Washington, and University of Washington, Seattle, by AKS Engineering, Seattle, Washington.

9. Do you know whether applications are pending for governmental approvals of other proposals directly affecting the property covered by your proposal? If yes, explain.

There are no known applications for government approvals of other proposals that would affect this project.

10. List any government approvals or permits that will be needed for your proposal, if known.

U.S. Army Corps of Engineers Nationwide Permit
Washington Department of Fish and Wildlife Hydraulic Project Approval
Washington Department of Ecology 401 Water Quality Certification
Washington Department of Ecology Coastal Zone Management Act Consistency Determination
Seattle Shoreline Substantial Development Permit
Seattle Land Use/Master Use Permit
Seattle Environmental Critical Areas Permit
Seattle Construction Permit

11. Give a brief, complete description of your proposal, including the proposed uses and the size of the project and site. There are several questions later in this checklist that ask you to describe certain aspects of your proposal. You do not need to repeat those answers on this page. (Lead agencies may modify this form to include additional specific information on project description.)

The University of Washington (UW) is responsible for maintaining numerous overwater structures, boat ramps, and other water dependent structures as part of its facility. Several of these structures are in need of repair, maintenance, or replacement. In addition, the needs

have changed since these structures were constructed, and now they need to be updated to meet current demands. Therefore, the UW is proposing to repair, replace, and maintain several docks located along the shoreline of Union Bay in Lake Washington. The project is located within 2 distinct areas along the shoreline and therefore will be identified and conducted in 2 phases: WAC Dock Renovation and Conibear Shellhouse Dock Renovation.

WAC Dock Renovation—The WAC rents kayaks and canoes from spring through fall. The area is also a popular swimming area during the summer. Student organizations, such as the UW Concrete Canoe Team, Washington Yacht Club, University Kayak Club, U-Wild adventure program, and Union Bay Rowing Club organize their activities at the WAC. The docks at the WAC also provide moorage space for private boaters and tour boats (e.g. Argosy Cruises) during Husky football games. Over the years, there has been increased use of the WAC. Many of the docks are nearing their end of life and have some safety hazards due to deterioration over time. Therefore, the project proposes to replace several docks, remove the boat ramp, add a canoe launch beach, and change the orientation of the dock layout. The proposed project has been carefully designed to meet the current and projected demands at this facility.

Currently, not counting the existing Outer Dock that will not have any repairs or replacement, there are 8 docks comprising 15,114 square feet of overwater structure and a 500-square-foot boat ramp. There are a total of 34 pilings (9 steel and 25 timber) ranging from 6 to 12 inches in diameter.

The proposed renovation would replace 3 existing docks, replace and reorient 1 dock, remove 4 docks, add 2 extension docks at the Outer Dock, and remove the boat ramp. Two of the removed docks would be replaced with a sand / gravel canoe launching beach. In summary, the proposed project would result in 10,630 square feet of overwater coverage (a reduction of 4,484 square feet of overwater coverage). The 34 existing pilings would be removed. Approximately 9, 18-inch steel pilings and 28, 12-inch steel pilings would be installed to secure the docks.

Conibear Shellhouse—The Conibear Shellhouse houses 5 shell bays, training facilities, coaches' offices, and a student-athlete dining hall for the UW crew teams. The current floating docks used for mooring and accessing the crew coach boats are far beyond their end of life and are a safety hazard. The project would replace the existing 2 floats with a new single gangway and float. A boat ramp would also be constructed to provide watercraft access as a replacement to the boat ramp that would be removed at the WAC.

Currently the 2 floating docks comprise 126 square feet of overwater structure that would be replaced with an 800-square-foot concrete boat ramp constructed of precast concrete panels, a 50-square-foot gangway, and a 240-square-foot boarding float. The float would be held in place with 3, 18-inch diameter steel piles.

The removal of the existing Conibear coach boat floats, the boat ramp at the WAC docks, and the construction of a new boat ramp including gangway and boarding float at the Conibear

B. Environmental Elements

1. Earth [Find help answering earth questions](#)

a. General description of the site:

All 4 locations are along shorelines adjacent to or in the water. The sites are generally flat except immediately at the water's edge.

Circle or highlight one: Flat, rolling, hilly, steep slopes, mountainous, other:

b. What is the steepest slope on the site (approximate percent slope)?

The project is located within Lake Washington. The steepest slope in the vicinity of the project is approximately 16%.

c. What general types of soils are found on the site (for example, clay, sand, gravel, peat, muck)? If you know the classification of agricultural soils, specify them, and note any agricultural land of long-term commercial significance and whether the proposal results in removing any of these soils.

Site soils are typically silty/clayey mixtures from ground surface down at least 20 feet. There is also some superficial fill under paved areas.

d. Are there surface indications or history of unstable soils in the immediate vicinity? If so, describe.

No. Existing soils in the immediate vicinity appear stable.

e. Describe the purpose, type, total area, and approximate quantities and total affected area of any filling, excavation, and grading proposed. Indicate source of fill.

The only anticipated excavation, filling, and grading for the project is at the WAC canoe launching beach and the Conibear boat ramp location.

For the WAC canoe launching beach, there will be re-grading of the uplands, excavation of soft sediment, and fill (sand / gravel, various gradations) added to develop the canoe launching beach area. The affected area will be approximately 5,500 square feet. The fill materials will be obtained from locally sourced suppliers (approved pit locations).

For the Conibear boat ramp location, there will be limited re-grading of the uplands (shoreline), excavation for foundation material, and fill (gravel, various gradations) added to develop a base for the pre-cast concrete panel boat ramp. The affected area will be approximately 800 square feet. The fill materials will be obtained from locally sourced suppliers (approved pit locations).

f. Could erosion occur because of clearing, construction, or use? If so, generally describe.

Limited erosion could occur during excavation and construction but would be limited in area (adjacent uplands are typically paved surfaces). Erosion control best management practices (BMPs) will be implemented during construction to limit potential erosion.

g. About what percent of the site will be covered with impervious surfaces after project construction (for example, asphalt or buildings)?

The only area that would have an increase in impervious surface would be at the Conibear boat ramp location (approximately 800 square feet). This would be for the concrete boat ramp panels, and the majority of these would be in-water.

h. Proposed measures to reduce or control erosion, or other impacts to the earth, if any.

BMPs, including temporary erosion control measures, will be required during construction to control runoff and water quality; therefore, no erosion is expected to occur as a result of the project.

2. Air [Find help answering air questions](#)

a. What types of emissions to the air would result from the proposal during construction, operation, and maintenance when the project is completed? If any, generally describe and give approximate quantities if known.

The project will require the use of heavy construction equipment, which will emit diesel exhaust during construction. During the operation of the facility, the only emissions will be boat motors.

b. Are there any off-site sources of emissions or odor that may affect your proposal? If so, generally describe.

No.

c. Proposed measures to reduce or control emissions or other impacts to air, if any.

None.

3. Water [Find help answering water questions](#)

a. Surface Water: [Find help answering surface water questions](#)

1. Is there any surface water body on or in the immediate vicinity of the site (including year-round and seasonal streams, saltwater, lakes, ponds, wetlands)? If yes, describe type and provide names. If appropriate, state what stream or river it flows into.

Yes, the project is located in Union Bay in Lake Washington. A lake-fringe wetland associated with Union Bay is within the vicinity of the project.

2. Will the project require any work over, in, or adjacent to (within 200 feet) the described waters? If yes, please describe and attach available plans.

Yes, the proposed project will require work in, over, and near Union Bay . The project requires the following general activities over-water and in-water:

- Removal of existing gangways and docks
- Vibratory extraction of existing piles
- Installation of new floats
- Driving new piles
- Affixing new steel gangway landing
- Installation of canoe launch beach
- Installation of pre-cast panel boat ramp

3. Estimate the amount of fill and dredge material that would be placed in or removed from surface water or wetlands and indicate the area of the site that would be affected. Indicate the source of fill material.

As described in SEPA Item B.1.e, the project will include removing piles from and installing new piles into the benthic environment. If these actions are liberally construed as grading and filling within the aquatic environment, then they will impact 321 square feet of the benthic environment at the project site: 151 square feet for steel pile removal and 170 square feet for steel pile installation. Additionally, 5,500 square feet of rounded, clean gravel and sand will be placed below the ordinary high water mark of Union Bay for the creation of the launch beach at the WAC, and 800 square feet of gravel and pre-cast concrete panels will be added below the ordinary high water mark of Union Bay for the creation of the boat ramp at the Conibear Shellhouse.

4. Will the proposal require surface water withdrawals or diversions? Give a general description, purpose, and approximate quantities if known.

No.

5. Does the proposal lie within a 100-year floodplain? If so, note location on the site plan.

No, Lake Washington water elevations are controlled, so no flooding occurs.

6. Does the proposal involve any discharges of waste materials to surface waters? If so, describe the type of waste and anticipated volume of discharge.

No.

b. Ground Water: [Find help answering ground water questions](#)

1. Will groundwater be withdrawn from a well for drinking water or other purposes? If so, give a general description of the well, proposed uses and approximate quantities withdrawn from the

well. Will water be discharged to groundwater? Give a general description, purpose, and approximate quantities if known.

No.

2. Describe waste material that will be discharged into the ground from septic tanks or other sources, if any (domestic sewage; industrial, containing the following chemicals...; agricultural; etc.). Describe the general size of the system, the number of such systems, the number of houses to be served (if applicable), or the number of animals or humans the system(s) are expected to serve.

No waste materials will be discharged into the ground.

c. Water Runoff (including stormwater):

- a) Describe the source of runoff (including storm water) and method of collection and disposal, if any (include quantities, if known). Where will this water flow? Will this water flow into other waters? If so, describe.

The proposed Conibear boat ramp will consist of concrete panels. The top of the ramp will be only several feet above the lake level, so collection of storm water runoff is not feasible. Any storm water on the ramp will run down the ramp into the lake. No other runoff is anticipated from the project.

- b) Could waste materials enter ground or surface waters? If so, generally describe.

All efforts will be made to prevent debris entering surface waters. All removed materials will be stored and hauled offsite via work barges to be disposed appropriately. There will be no opportunity for waste materials to enter ground waters during the construction or operation of this project.

- c) Does the proposal alter or otherwise affect drainage patterns in the vicinity of the site? If so, describe.

No.

- d) Proposed measures to reduce or control surface, ground, and runoff water, and drainage pattern impacts, if any.

BMPs will be used as needed for all activities conducted.

4. Plants [Find help answering plants questions](#)

- a. Check the types of vegetation found on the site:

- deciduous tree: alder, maple, aspen, other
- evergreen tree: fir, cedar, pine, other
- shrubs
- grass
- pasture
- crop or grain

- orchards, vineyards, or other permanent crops.
- wet soil plants: cattail, buttercup, bullrush, skunk cabbage, other
- water plants: water lily, eelgrass, milfoil, other
- other types of vegetation

b. What kind and amount of vegetation will be removed or altered?

Pile installation may affect approximately 321 square feet of aquatic vegetation (mostly milfoil [*Myriophyllum* sp.]) in the project site. Approximately 430 square feet of shrub and herbaceous vegetation will be removed along the shoreline at the new Conibear Shellhouse gangway locations.

c. List threatened and endangered species known to be on or near the site.

None.

d. Proposed landscaping, use of native plants, or other measures to preserve or enhance vegetation on the site, if any.

No landscaping is proposed other than willow stakings along the northern shoreline at the WAC. Areas where vegetation will be removed are limited to where structures (i.e., gangways and boat ramp) are located or the narrow bank of herbaceous vegetation in the vicinity of the launching beach at the WAC.

e. List all noxious weeds and invasive species known to be on or near the site.

Yellow flag iris (*Iris pseudacorus*)
 Milfoil
 Reed canarygrass (*Phalaris arundinacea*)

5. Animals [Find help answering animal questions](#)

a. List any birds and other animals that have been observed on or near the site or are known to be on or near the site.

Examples include:

- **Birds:** hawk, heron, eagle, songbirds, other:
- **Mammals:** deer, bear, elk, beaver, other:
- **Fish:** bass, salmon, trout, herring, shellfish, other:

b. List any threatened and endangered species known to be on or near the site.

Chinook salmon (*Oncorhynchus tshawytscha*)
 Bull trout (*Salvelinus confluentus*)
 Steelhead Trout (*Oncorhynchus mykiss*)

References:

NMFS (National Marine Fisheries Service). 2022a. Protected resources app. National Marine Fisheries Service West Coast Region, Protected Resources Division, Seattle, Washington. Available at: <https://www.webapps.nwfsc.noaa.gov/portal/apps/webappviewer/index.html?id=7514c715b8594944a6e468dd25aaacc9> (accessed February 28, 2022).

NMFS. 2022b. Status of ESA listings & critical habitat designations for West Coast salmon & steelhead. National Marine Fisheries Service West Coast Region. Available at: http://www.westcoast.fisheries.noaa.gov/publications/gis_maps/maps/salmon_steelhead/critical_habitat/wcr_salmonid_ch_esa_july2016.pdf (accessed on [February 28, 2022]).

USFWS (U.S. Fish and Wildlife Service). 2022. Information for planning and consultation (IPaC). USFWS, Olympia, Washington. Available at: http://www.fws.gov/wafwo/species_new.html (accessed on February 28, 2022).

c. Is the site part of a migration route? If so, explain.

Yes, Lake Washington are migration routes for anadromous salmonids. The general region is part of the Pacific Flyway for many migratory birds.

d. Proposed measures to preserve or enhance wildlife, if any.

The project will reduce overwater structures by 4,575 square feet and convert 145 linear feet from bulkhead to sand/gravel beach. The project will use grated decking with a minimum of 43% open space that will reduce overwater shading. All in-water work will occur during the approved in-water work window, when juvenile salmonids are not expected to be in the area. In an effort to reduce noise impact effects to wildlife, only a vibratory hammer will be used unless hard driving conditions are encountered. Additionally, to decrease turbidity, a debris boom and silt curtain will be used around demolition and construction activities as needed.

e. List any invasive animal species known to be on or near the site.

None.

6. Energy and Natural Resources [Find help answering energy and natural resource questions](#)

1. What kinds of energy (electric, natural gas, oil, wood stove, solar) will be used to meet the completed project's energy needs? Describe whether it will be used for heating, manufacturing, etc.

No changes to the existing utilities are proposed. Existing lighting will be maintained.

2. Would your project affect the potential use of solar energy by adjacent properties? If so, generally describe.

The proposed project is not anticipated to affect the use of solar energy by adjacent properties. The project is at ground level and therefore structures will not be tall enough to block sunlight onto those properties.

3. What kinds of energy conservation features are included in the plans of this proposal? List other

proposed measures to reduce or control energy impacts, if any.

None.

7. Environmental Health [Find help with answering environmental health questions](#)

Are there any environmental health hazards, including exposure to toxic chemicals, risk of fire and explosion, spill, or hazardous waste, that could occur because of this proposal? If so, describe.

No.

1. Describe any known or possible contamination at the site from present or past uses.

There is no known possible contamination at the project site.

2. Describe existing hazardous chemicals/conditions that might affect project development and design. This includes underground hazardous liquid and gas transmission pipelines located within the project area and in the vicinity.

There are no known toxic or hazardous chemicals that might be stored, used, or produced during the construction or operation of the project.

3. Describe any toxic or hazardous chemicals that might be stored, used, or produced during the project's development or construction, or at any time during the operating life of the project.

None.

4. Describe special emergency services that might be required.

None.

5. Proposed measures to reduce or control environmental health hazards, if any.

None.

b. Noise

1. What types of noise exist in the area which may affect your project (for example: traffic, equipment, operation, other)?

The project site is located adjacent to the Lake Washington Ship Canal Montlake Cut in an area where boating and waterfront activity is common. Noises from these activities will not affect the project.

2. What types and levels of noise would be created by or associated with the project on a short-term or a long-term basis (for example: traffic, construction, operation, other)? Indicate what hours noise would come from the site)?

In the short-term, project construction work will be conducted during normal business hours and within in-water work windows. Pile driving and installation of new overwater structures may cause varying levels of noise, but this noise will be intermittent, temporary, and short-term.

In the long-term, the project operation will create no noise above what is currently present.

3. Proposed measures to reduce or control noise impacts, if any.

Work will occur within normal working hours during regular workdays and within Seattle Noise Ordinance hours.

8. Land and Shoreline Use [Find help answering land and shoreline use questions](#)

a. What is the current use of the site and adjacent properties? Will the proposal affect current land uses on nearby or adjacent properties? If so, describe.

The project site is part of the UW campus, a Major Institution. The proposed project would not result in a change to land use and would not affect current land use of nearby or adjacent properties.

b. Has the project site been used as working farmlands or working forest lands? If so, describe. How much agricultural or forest land of long-term commercial significance will be converted to other uses because of the proposal, if any? If resource lands have not been designated, how many acres in farmland or forest land tax status will be converted to nonfarm or nonforest use?

No.

1. Will the proposal affect or be affected by surrounding working farm or forest land normal business operations, such as oversize equipment access, the application of pesticides, tilling, and harvesting? If so, how?

No.

c. Describe any structures on the site.

No buildings will be affected by this project. In-water structures include the following:

- **WAC Dock Renovation**—Currently there are 8 docks comprising 15,114 square feet of overwater structure and a 500-square-foot boat ramp. There are a total of 34 pilings (9 steel and 25 timber) ranging from 6 to 12 inches in diameter.
- **Conibear Shellhouse Docks**—The 2 Conibear Shellhouse floating docks are solid wood decking docks (126 square feet total). They are connected to the existing crew boat launching deck by rope.

d. Will any structures be demolished? If so, what?

Yes, 10 existing docks will be permanently removed, 8 located at the WAC and 2 located at Conibear Shellhouse. At the WAC, 4 of the docks will be replaced in the general location from which they are removed. Four of the docks will not be replaced. At Conibear Shellhouse, the 2 docks removed will be replaced with a single dock and gangway.

e. What is the current zoning classification of the site?

MIO-160-MR (Major Institution Overlay)

f. What is the current comprehensive plan designation of the site?

WAC & Conibear Shellhouse – Major Institutions

g. If applicable, what is the current shoreline master program designation of the site?

WAC & Conibear Shellhouse – Conservancy Management

h. Has any part of the site been classified as a critical area by the city or county? If so, specify.

Yes, Lake Washington is a shoreline of the state. There are unnamed wetlands at the WAC and Conibear Shellhouse locations that are part of the large wetland complex associated with the Union Bay natural area.

i. Approximately how many people would reside or work in the completed project?

None.

j. Approximately how many people would the completed project displace?

None.

k. Proposed measures to avoid or reduce displacement impacts, if any.

None.

l. Proposed measures to ensure the proposal is compatible with existing and projected land uses and plans, if any.

None.

m. Proposed measures to reduce or control impacts to agricultural and forest lands of long-term commercial significance, if any.

None.

9. Housing [Find help answering housing questions](#)

a. Approximately how many units would be provided, if any? Indicate whether high, middle, or low-income housing.

None.

b. Approximately how many units, if any, would be eliminated? Indicate whether high, middle, or low-income housing.

None.

c. Proposed measures to reduce or control housing impacts, if any.

None.

10. Aesthetics [Find help answering aesthetics questions](#)

a. What is the tallest height of any proposed structure(s), not including antennas; what is the principal exterior building material(s) proposed?

The top of the new piles will be approximately 5 feet above the waterline.

b. What views in the immediate vicinity would be altered or obstructed?

None, the proposed project would not obstruct views of Union Bay or Lake Washington.

c. Proposed measures to reduce or control aesthetic impacts, if any.

None.

11. Light and Glare [Find help answering light and glare questions](#)

a. What type of light or glare will the proposal produce? What time of day would it mainly occur?

The project is not proposing any new external lighting. External light already exists.

b. Could light or glare from the finished project be a safety hazard or interfere with views?

No.

c. What existing off-site sources of light or glare may affect your proposal?

None.

d. Proposed measures to reduce or control light and glare impacts, if any.

None.

12. Recreation [Find help answering recreation questions](#)

a. What designated and informal recreational opportunities are in the immediate vicinity?

Boating, swimming, and walking occur within the project vicinity.

b. Would the proposed project displace any existing recreational uses? If so, describe.

No, the proposed project is anticipated to enhance these activities.

c. Proposed measures to reduce or control impacts on recreation, including recreation opportunities to be provided by the project or applicant, if any.

None, the project is designed to enhance on- and in-water activities.

13. Historic and Cultural Preservation [Find help answering historic and cultural preservation questions](#)

- a. Are there any buildings, structures, or sites, located on or near the site that are over 45 years old listed in or eligible for listing in national, state, or local preservation registers? If so, specifically describe.**

Yes, the ASUW Shell House is located in the vicinity of the WAC and is listed in the national register, the Washington Heritage Register, and Seattle Landmarks.

- b. Are there any landmarks, features, or other evidence of Indian or historic use or occupation? This may include human burials or old cemeteries. Are there any material evidence, artifacts, or areas of cultural importance on or near the site? Please list any professional studies conducted at the site to identify such resources.**

None have been identified. While the site has been identified as high risk by the Department of Archaeology and Historic Preservation (DAHP) predictive model, the site has been in it's current use for decades, and thus the ground has been routinely disturbed. The project involves shallow ground disturbance and is not expected to disturb the ground any deeper than past practices on-site.

- c. Describe the methods used to assess the potential impacts to cultural and historic resources on or near the project site. Examples include consultation with tribes and the department of archeology and historic preservation, archaeological surveys, historic maps, GIS data, etc.**

The DAHP Washington Information System for Architectural & Archaeological Records Data (WISAARD) GIS dataset was used to evaluate historic and cultural resources present on-site. WISAARD is the state's digital repository for architectural and archaeological resources and reports. Searching the database and data entry for archaeological sites, historic properties, and cultural survey reports are its main functions.

- d. Proposed measures to avoid, minimize, or compensate for loss, changes to, and disturbance to resources. Please include plans for the above and any permits that may be required.**

No alteration to the ASUW Shell House is proposed, and minimal ground disturbance is anticipated.

14. Transportation [Find help with answering transportation questions](#)

- a. Identify public streets and highways serving the site or affected geographic area and describe proposed access to the existing street system. Show on site plans, if any.**

The WAC and Conibear Shellhouse are accessed from Montlake Boulevard. (Figure 1).

- b. Is the site or affected geographic area currently served by public transit? If so, generally describe. If not, what is the approximate distance to the nearest transit stop?**

Public transportation is located within a 1/4 mile of the project area. King County Metro and Community transit busses and the Sound Transit University of Washington Link light rail station serve the WAC, Conibear and vicinity.

- c. Will the proposal require any new or improvements to existing roads, streets, pedestrian, bicycle, or state transportation facilities, not including driveways? If so, generally describe (indicate whether public or private).**

No.

- d. Will the project or proposal use (or occur in the immediate vicinity of) water, rail, or air transportation? If so, generally describe.**

Yes, water transportation for football games will continue to be used.

- e. How many vehicular trips per day would be generated by the completed project or proposal? If known, indicate when peak volumes would occur and what percentage of the volume would be trucks (such as commercial and nonpassenger vehicles). What data or transportation models were used to make these estimates?**

None.

- f. Will the proposal interfere with, affect, or be affected by the movement of agricultural and forest products on roads or streets in the area? If so, generally describe.**

None.

- g. Proposed measures to reduce or control transportation impacts, if any.**

None.

15. Public Services [Find help answering public service questions](#)

- a. Would the project result in an increased need for public services (for example: fire protection, police protection, public transit, health care, schools, other)? If so, generally describe.**

No.

- b. Proposed measures to reduce or control direct impacts on public services, if any.**

None.

16. Utilities [Find help answering utilities questions](#)

- a. Circle utilities currently available at the site: electricity, natural gas, water, refuse service, telephone, sanitary sewer, septic system, other:**

- b. Describe the utilities that are proposed for the project, the utility providing the service, and the general construction activities on the site or in the immediate vicinity which might be needed.

Electricity and gas powered generators will be used to construct the project. Once the project is complete, no utilities will be used.

C. Signature [Find help about who should sign](#)

The above answers are true and complete to the best of my knowledge. I understand that the lead agency is relying on them to make its decision.

 Recoverable Signature

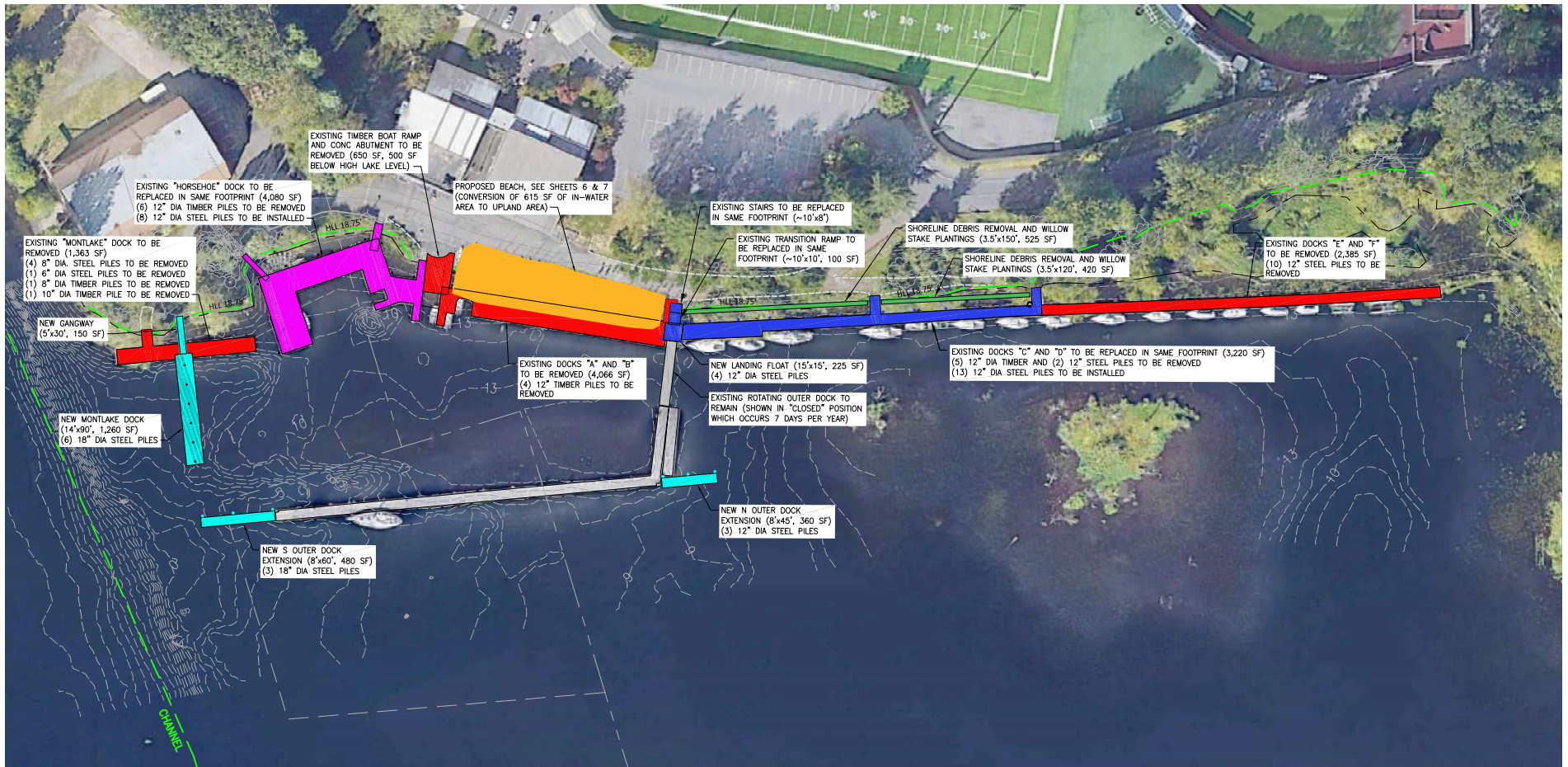
X 

Signed by: jblakesl@uw.edu

Type name of signee: Julie Blakeslee

Position and agency/organization: SEPA Responsible Official, University of Washington

Date submitted: 9/5/2023



PURPOSE: FLOAT REPLACEMENT, BEACH, & BOAT LAUNCH WITH BOARDING FLOAT

DATUM: MLLW 0.0'

ADJACENT PROPERTY OWNERS:
1. N/A

WAC PROPOSED FLOAT REPLACEMENT & BEACH

**UNIVERSITY OF WASHINGTON
WAC & HUSKY HARBOR DOCK IMPROVEMENTS**

ADDRESS: WAC: 3701 WALLA WALLA ROAD NE
CONIBEAR: 3826 WALLA WALLA ROAD NE
SEATTLE WA 98195

ReidMiddleton

728 134th Street SW - Suite 200
Everett, Washington 98204
Ph: 425 741-3800

IN: SEATTLE, WA
AT: UNIVERSITY OF WASHINGTON
COUNTY OF: KING
APPLICATION BY: UNIVERSITY OF WASHINGTON
SHEET 6 OF 15 DATE: SEPTEMBER 2023



PURPOSE: FLOAT REPLACEMENT, BEACH, & BOAT LAUNCH WITH BOARDING FLOAT

DATUM: MLLW 0.0'

ADJACENT PROPERTY OWNERS:
1. N/A

CONIBEAR EXISTING BOAT RAMP AND FLOAT

**UNIVERSITY OF WASHINGTON
WAC & HUSKY HARBOR DOCK IMPROVEMENTS**

ADDRESS: WAC: 3701 WALLA WALLA ROAD NE
CONIBEAR: 3826 WALLA WALLA ROAD NE
SEATTLE WA 98195

ReidMiddleton

728 134th Street SW · Suite 200
Everett, Washington 98204
Ph: 425 741-3800

IN: SEATTLE, WA
AT: UNIVERSITY OF WASHINGTON
COUNTY OF: KING
APPLICATION BY: UNIVERSITY OF WASHINGTON
SHEET 9 OF 15 DATE: SEPTEMBER 2023



PURPOSE: FLOAT REPLACEMENT, BEACH, & BOAT LAUNCH WITH BOARDING FLOAT

DATUM: MLLW 0.0'

ADJACENT PROPERTY OWNERS:
1. N/A

CONIBEAR PROPOSED BOAT RAMP AND FLOAT

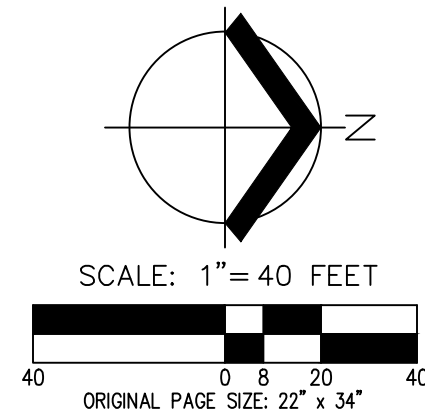
**UNIVERSITY OF WASHINGTON
WAC & HUSKY HARBOR DOCK IMPROVEMENTS**

ADDRESS: WAC: 3701 WALLA WALLA ROAD NE
CONIBEAR: 3826 WALLA WALLA ROAD NE
SEATTLE WA 98195

ReidMiddleton

728 134th Street SW - Suite 200
Everett, Washington 98204
Ph: 425 741-3800

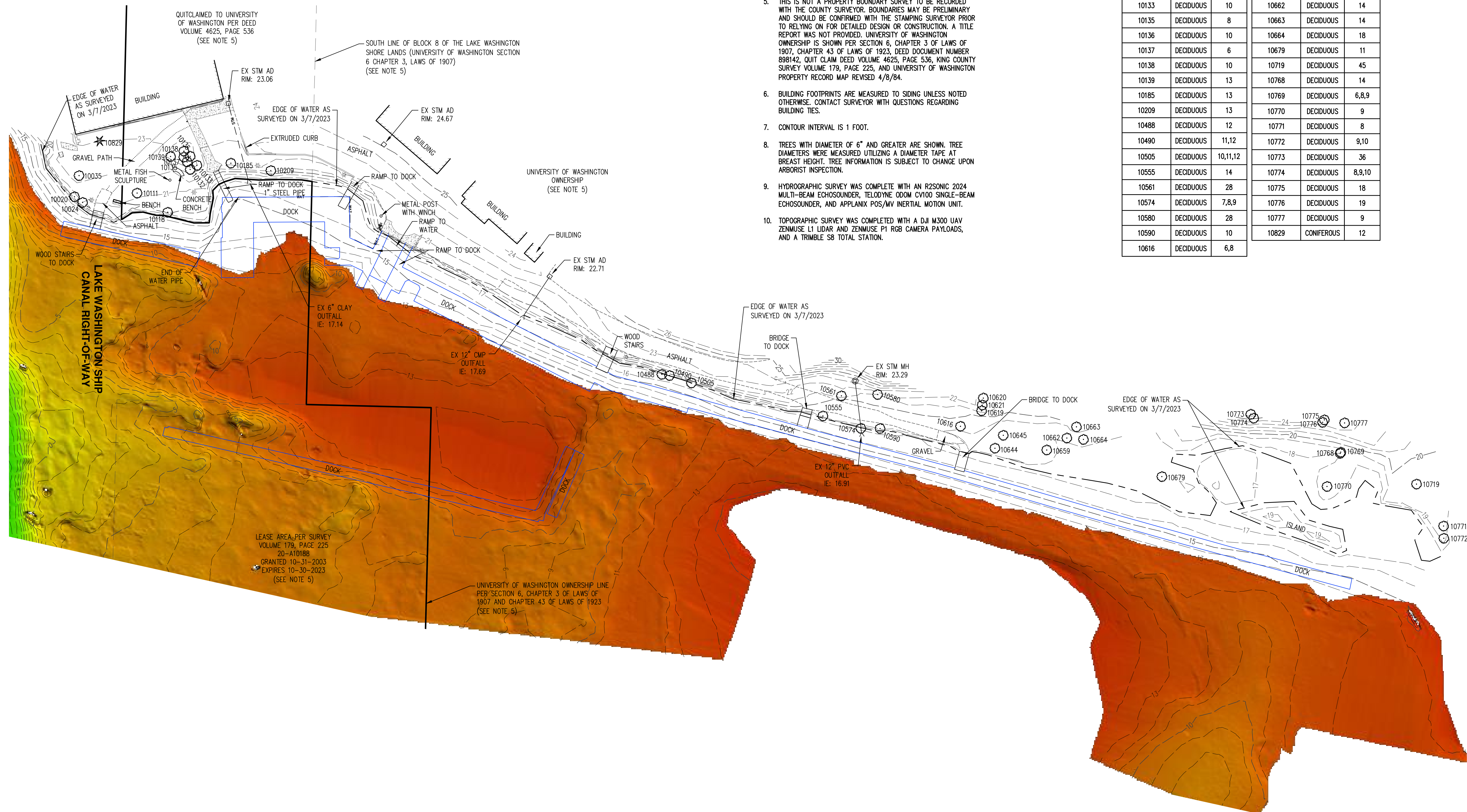
IN: SEATTLE, WA
AT: UNIVERSITY OF WASHINGTON
COUNTY OF: KING
APPLICATION BY: UNIVERSITY OF WASHINGTON
SHEET 10 OF 15 DATE: SEPTEMBER 2023



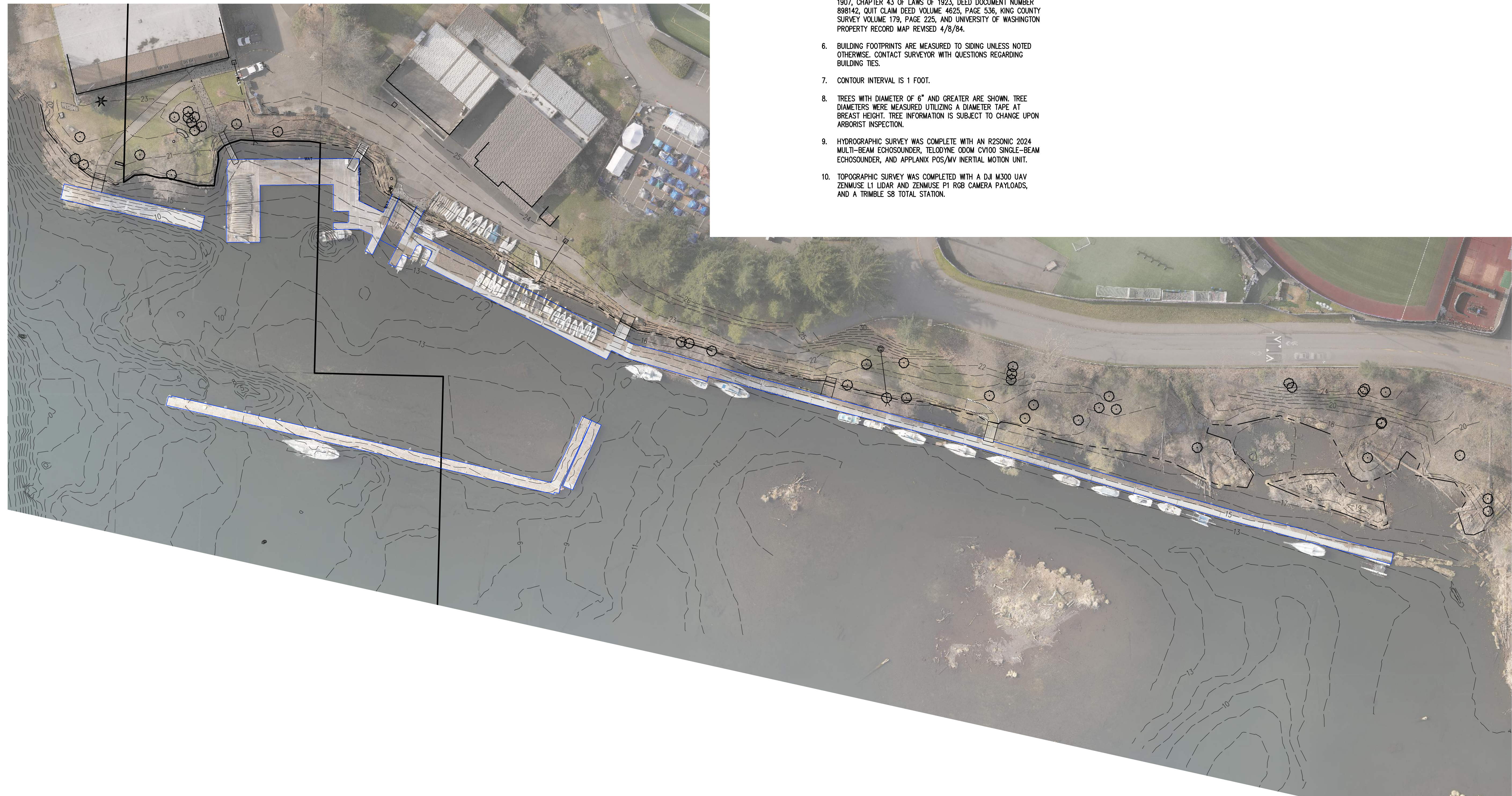
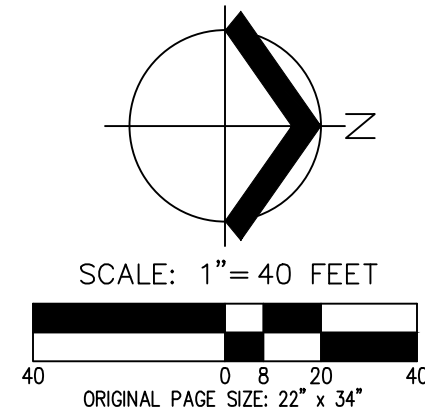
NOTES:

- UTILITIES SHOWN ARE BASED ON ABOVE GROUND STRUCTURES, NO UNDERGROUND UTILITY LOCATE MARKINGS WERE REQUESTED. THE SURVEYOR MAKES NO GUARANTEE THAT THE UNDERGROUND LOCATES REPRESENT THE ONLY UTILITIES IN THE AREA. CONTRACTORS ARE RESPONSIBLE FOR VERIFYING ALL EXISTING CONDITIONS PRIOR TO BEGINNING CONSTRUCTION.
- FIELD WORK WAS CONDUCTED MARCH 7 - 8, 2023.
- VERTICAL DATUM: ELEVATIONS ARE BASED ON NGS BENCHMARK PID A13599. ELEVATION = 28.81 FEET (NAVD 88).
- HORIZONTAL DATUM: NAD83/11 SPCS WASHINGTON NORTH ZONE US SURVEY FEET.
- THIS IS NOT A PROPERTY BOUNDARY SURVEY TO BE RECORDED WITH THE COUNTY SURVEYOR. BOUNDARIES MAY BE PRELIMINARY AND SHOULD BE CONFIRMED WITH THE STAMPING SURVEYOR PRIOR TO RELYING ON FOR DETAILED DESIGN OR CONSTRUCTION. A TITLE REPORT WAS NOT PROVIDED. UNIVERSITY OF WASHINGTON OWNERSHIP IS SHOWN PER SECTION 6, CHAPTER 3 OF LAWS OF 1907, CHAPTER 43 OF LAWS OF 1923, DEED DOCUMENT NUMBER 898142, QUIT CLAIM DEED VOLUME 4625, PAGE 536, KING COUNTY SURVEY VOLUME 179, PAGE 225, AND UNIVERSITY OF WASHINGTON PROPERTY RECORD MAP REVISED 4/8/84.
- BUILDING FOOTPRINTS ARE MEASURED TO SIDING UNLESS NOTED OTHERWISE. CONTACT SURVEYOR WITH QUESTIONS REGARDING BUILDING TIES.
- CONTOUR INTERVAL IS 1 FOOT.
- TREES WITH DIAMETER OF 6" AND GREATER ARE SHOWN. TREE DIAMETERS WERE MEASURED UTILIZING A DIAMETER TAPE AT BREAST HEIGHT. TREE INFORMATION IS SUBJECT TO CHANGE UPON ARBORIST INSPECTION.
- HYDROGRAPHIC SURVEY WAS COMPLETE WITH AN R2SONIC 2024 MULTI-BEAM ECHOSOUNDER, TELODYNE ODOM CV100 SINGLE-BEAM ECHOSOUNDER, AND APPLANIX POS/MV INERTIAL MOTION UNIT.
- TOPOGRAPHIC SURVEY WAS COMPLETED WITH A DJI M300 UAV ZENMUSE L1 LIDAR AND ZENMUSE P1 RGB CAMERA PAYLOADS, AND A TRIMBLE S8 TOTAL STATION.

TREE TABLE			TREE TABLE		
TREE NUMBER	TYPE	DBH (IN.)	TREE NUMBER	TYPE	DBH (IN.)
10020	DECIDUOUS	20	10619	DECIDUOUS	12
10024	DECIDUOUS	13,19	10620	DECIDUOUS	6
10035	DECIDUOUS	8	10621	DECIDUOUS	8
10111	DECIDUOUS	6	10644	DECIDUOUS	28
10118	DECIDUOUS	23	10645	DECIDUOUS	15,16
10132	DECIDUOUS	10	10659	DECIDUOUS	27
10133	DECIDUOUS	10	10662	DECIDUOUS	14
10135	DECIDUOUS	8	10663	DECIDUOUS	14
10136	DECIDUOUS	10	10664	DECIDUOUS	18
10137	DECIDUOUS	6	10679	DECIDUOUS	11
10138	DECIDUOUS	10	10719	DECIDUOUS	45
10139	DECIDUOUS	13	10768	DECIDUOUS	14
10185	DECIDUOUS	13	10769	DECIDUOUS	6,8,9
10209	DECIDUOUS	13	10770	DECIDUOUS	9
10488	DECIDUOUS	12	10771	DECIDUOUS	8
10490	DECIDUOUS	11,12	10772	DECIDUOUS	9,10
10505	DECIDUOUS	10,11,12	10773	DECIDUOUS	36
10555	DECIDUOUS	14	10774	DECIDUOUS	8,9,10
10561	DECIDUOUS	28	10775	DECIDUOUS	18
10574	DECIDUOUS	7,8,9	10776	DECIDUOUS	19
10580	DECIDUOUS	28	10777	DECIDUOUS	9
10590	DECIDUOUS	10	10829	CONIFEROUS	12
10616	DECIDUOUS	6,8			



AKS DRAWING FILE: 9434EXCOND.DWG | LAYOUT: 01



NOTES:

1. UTILITIES SHOWN ARE BASED ON ABOVE GROUND STRUCTURES, NO UNDERGROUND UTILITY LOCATE MARKINGS WERE REQUESTED. THE SURVEYOR MAKES NO GUARANTEE THAT THE UNDERGROUND LOCATES REPRESENT THE ONLY UTILITIES IN THE AREA. CONTRACTORS ARE RESPONSIBLE FOR VERIFYING ALL EXISTING CONDITIONS PRIOR TO BEGINNING CONSTRUCTION.
2. FIELD WORK WAS CONDUCTED MARCH 7 - 8, 2023.
3. VERTICAL DATUM: ELEVATIONS ARE BASED ON NGS BENCHMARK PID A13599. ELEVATION = 28.81 FEET (NAVD 88).
4. HORIZONTAL DATUM: NAD83/11 SPCS WASHINGTON NORTH ZONE US SURVEY FEET.
5. THIS IS NOT A PROPERTY BOUNDARY SURVEY TO BE RECORDED WITH THE COUNTY SURVEYOR. BOUNDARIES MAY BE PRELIMINARY AND SHOULD BE CONFIRMED WITH THE STAMPING SURVEYOR PRIOR TO RELYING ON FOR DETAILED DESIGN OR CONSTRUCTION. A TITLE REPORT WAS NOT PROVIDED. UNIVERSITY OF WASHINGTON OWNERSHIP IS SHOWN PER SECTION 6, CHAPTER 3 OF LAWS OF 1907, CHAPTER 43 OF LAWS OF 1923, DEED DOCUMENT NUMBER 898142, QUIT CLAIM DEED VOLUME 4625, PAGE 536, KING COUNTY SURVEY VOLUME 179, PAGE 225, AND UNIVERSITY OF WASHINGTON PROPERTY RECORD MAP REVISED 4/8/84.
6. BUILDING FOOTPRINTS ARE MEASURED TO SIDING UNLESS NOTED OTHERWISE. CONTACT SURVEYOR WITH QUESTIONS REGARDING BUILDING TIES.
7. CONTOUR INTERVAL IS 1 FOOT.
8. TREES WITH DIAMETER OF 6" AND GREATER ARE SHOWN. TREE DIAMETERS WERE MEASURED UTILIZING A DIAMETER TAPE AT BREAST HEIGHT. TREE INFORMATION IS SUBJECT TO CHANGE UPON ARBORIST INSPECTION.
9. HYDROGRAPHIC SURVEY WAS COMPLETE WITH AN R2SONIC 2024 MULTI-BEAM ECHOSOUNDER, TELODYNE ODOM CV100 SINGLE-BEAM ECHOSOUNDER, AND APPLANIX POS/MV INERTIAL MOTION UNIT.
10. TOPOGRAPHIC SURVEY WAS COMPLETED WITH A DJI M300 UAV ZENMUSE L1 LIDAR AND ZENMUSE P1 RGB CAMERA PAYLOADS, AND A TRIMBLE S8 TOTAL STATION.

AKS DRAWING FILE: 9434ECOND.DWG | LAYOUT: 02

AERIAL PLAN

DESIGNED BY: _____
 DRAWN BY: CC
 MANAGED BY: BH
 CHECKED BY: BH

DATE: 7/28/2023



REVISIONS 7/28/23 BRH

JOB NUMBER
9434
 SHEET
02

Additional reports available upon request:

1. Aspect Consulting, 2023. Geotechnical report
2. Confluence Environmental Company, 2023. Habitat survey and biological assessment.